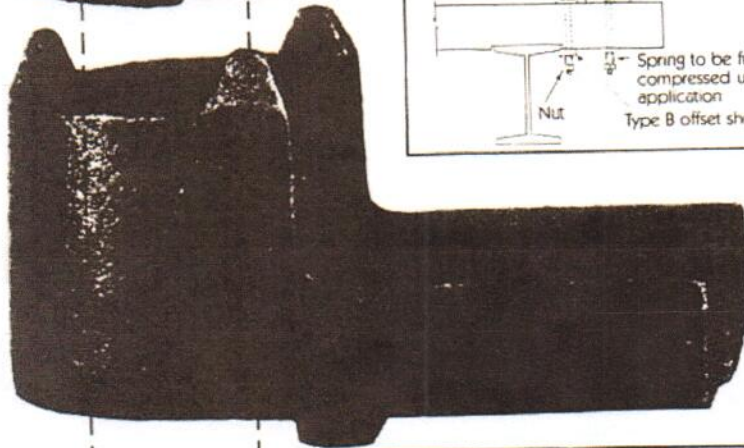
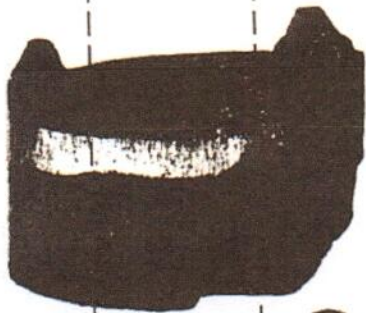
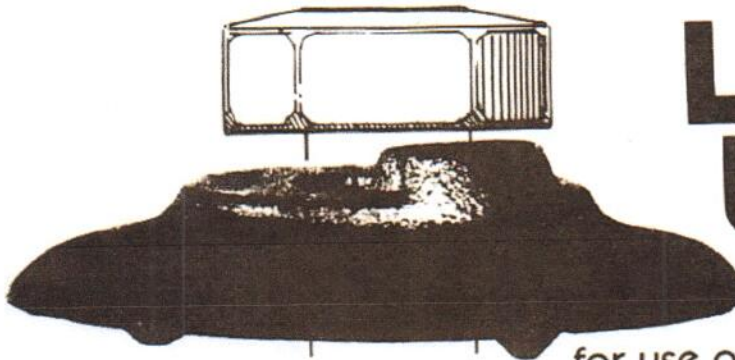
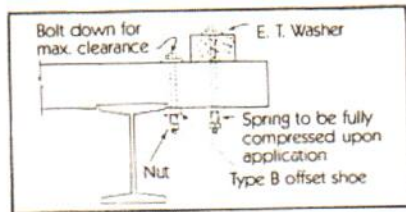
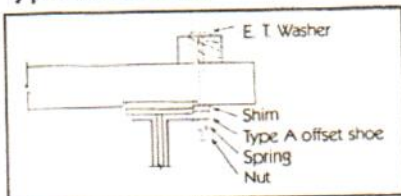


# Lewis ever tight bolt assembly

permanent bridge hardware  
for use on all timber or steel and timber construction



## Typical Decks



## Ever tight Decking assembly

Wherever timber is secured to steel, the DECKING ASSEMBLY is the perfect fastener, thanks to the OFFSET SHOE, WASHER and EVER TIGHT SPRING.

The SHOES fit up against the beam flange. The OFFSET SHOE has the same locking devices as the EVER TIGHT WASHER, so the bolt may be installed with the head up or down.

The EVER TIGHT SPRING used with the OFFSET SHOE forms the COMPLETE LOCK, takes up timber shrinkage and absorbs traffic shock and vibration, clamping the ties to the steel with a 1-ton pressure, which eliminates shifting, mechanical wear, misalignment and costly tie renewal.

## Ever tight Timber assembly

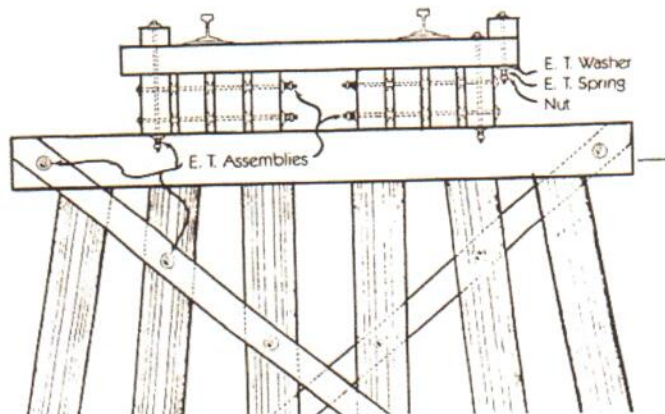
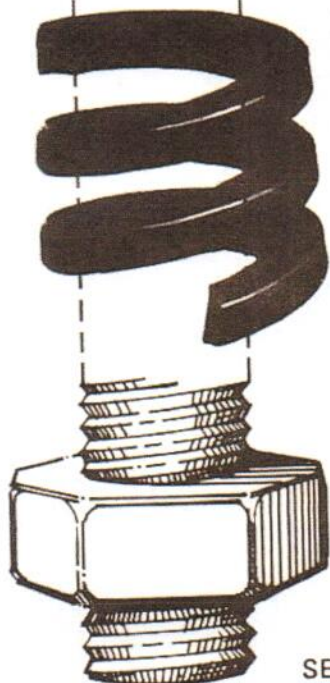
Wherever two or more pieces of structural timber are joined, the ASSEMBLY makes the perfect fastening. The bolt, washer and nut are completely locked.

The SPRING absorbs traffic shock, vibration and prevents any slack from mechanical wear and timber shrinkage from occurring. This ELIMINATES COSTLY MAINTENANCE and

REPLACEMENT OF YOUR BRIDGE HARDWARE AND TIMBER. It keeps all connecting points TIGHT CONTINUALLY with 2,000 pounds pressure — Keeping your structures UP TO THEIR DESIGNED STRENGTH at all times — The cost of the ASSEMBLY per trestle span is but a fraction of the Maintenance charge for a single tightening.

### Use on:

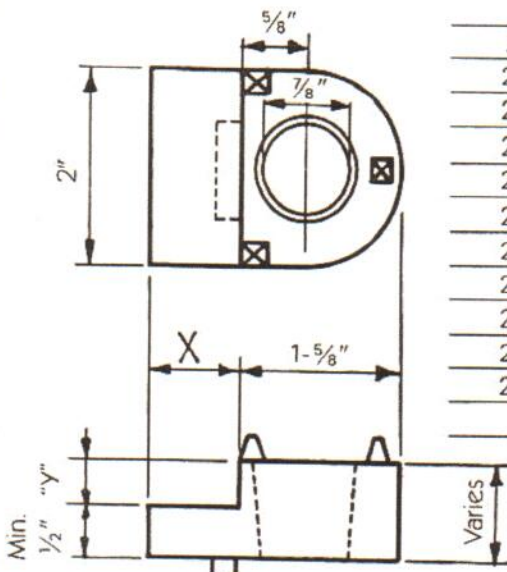
- Decks
- Sway Bracing
- Chord Bolts
- Guard Rail
- Line Bolts
- Foot Walks
- Hand Rails



SEE REVERSE SIDE

## ORDERING INFORMATION FOR OFFSET SHOES

SPECIFY TYPE A OR B SHOE X OR Y MEASUREMENT TO FIT APPLICATION



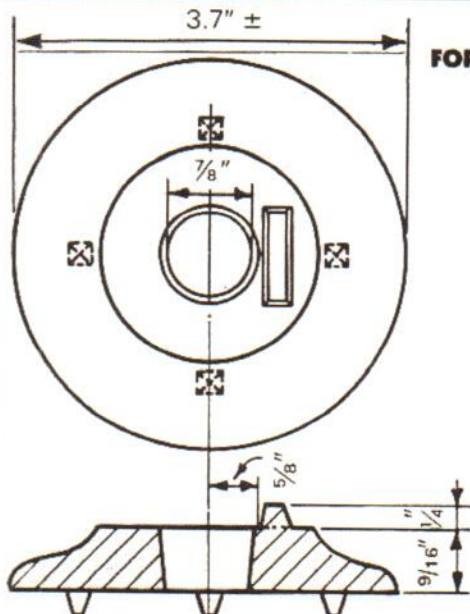
Offset Shoes			
Type A			
X	Y	X	Y
2"	1/2"	1-1/2"	3/8"
2"	13/16"	1-1/2"	7/16"
2"	7/8"	1-1/2"	1/2"
2"	15/16"	1-1/2"	9/16"
2"	1"	1-1/2"	5/8"
2"	1-1/16"	1-1/2"	11/16"
2"	1-3/16"	1-1/2"	3/4"
2"	1-5/16"	1-1/2"	13/16"
2"	1-7/16"	1-1/2"	15/16"
2"	1-9/16"	1-1/2"	1"
		1-1/2"	1-1/8"

**TYPE A**

### Detail of Offset Shoes

**OFFSET SHOES** stocked for 3/4" Bolts only. Other Dimensions of "X" & "Y" Available on order.

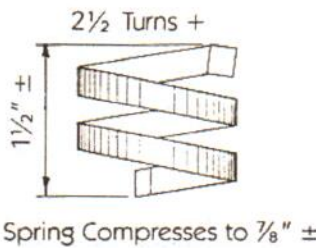
## ORDERING INFORMATION FOR SHIMS, WASHERS AND SPRINGS.



3/4" WASHER

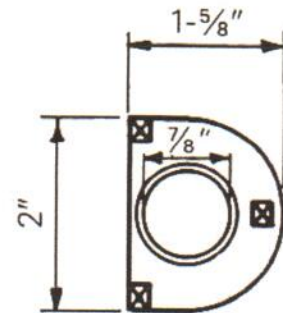
Washer Depth Applies To All Sizes

**WASHERS** for 1/2", 5/8", 3/4", 7/8" and 1" bolts.

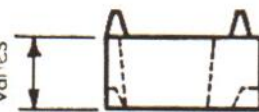


Spring Compresses to 7/8" ±

Compressed & Free Dimensions Apply to 1/2", 5/8", 3/4", 7/8" and 1" Springs.



Depth Varies



Standard Depth  
1/2", 5/8", 3/4", 7/8", 1" & 1-1/8"  
**SHIM** — For 3/4" Bolt only



# LEWIS

Sales: 1500 Wayzata Blvd., Ste. 611  
Wayzata, MN 55391  
952-449-9630 • Fax 952/449-9607  
Toll-Free 1-800-328-3480